

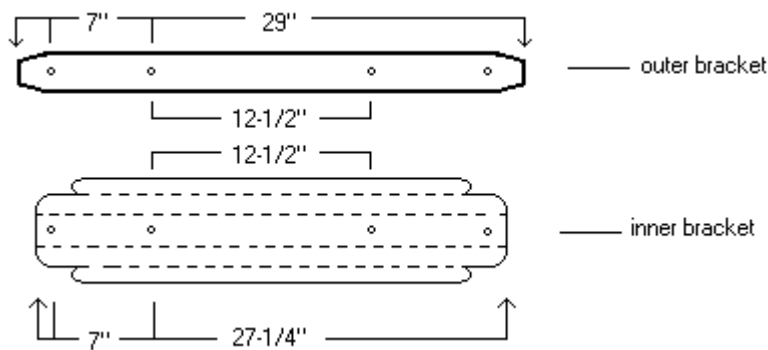
## Stainless Steel Accessories

# 16" DROPPED STYLE VISOR

### INSTALLATION INSTRUCTIONS

**\* NOT INSTALLING SUPPORT BRACKET MAY CAUSE CAB ROOF DAMAGE\***

1. Remove Plastic coating around all bolt holes.
2. Do not tighten bolts with locknuts all the way until last step.



3. Hold inner (inside cab) support bracket in place over center post of windshield and drill two center holes to line up with outer support bracket.
4. Install 1-1/2" Phillips head bolts through the column and fasten supplied nuts and washers.
5. Drill two remaining holes in column, finish fastening with bolts and nuts provided.
6. Install brackets on roof using existing mounting studs. Make sure the longer outside bracket is on the outside and the shorter bracket is on the inside. Do not tighten as they will require adjustment later.
7. Install Sunvisor onto brackets using the supplied 1/4-20 x 1/2" truss head bolts to the outer and inner brackets and the 3/4" bolts at the center bracket. Attach the "U" shaped bracket supplied, with the 90degree bend at the 2<sup>nd</sup> hole from the bottom on the center bracket and the 68deg bend at the windshield post. Do not tighten, as they will also require adjustment.
8. Install end bolts from original visor. Do not tighten completely.
9. Tighten all bolts beginning with the visor onto the brackets, then tighten brackets to roof and ends.
10. Remove all plastic coating and clean with glass cleaner if necessary.